

# KR Electronics, Inc.

## General Description

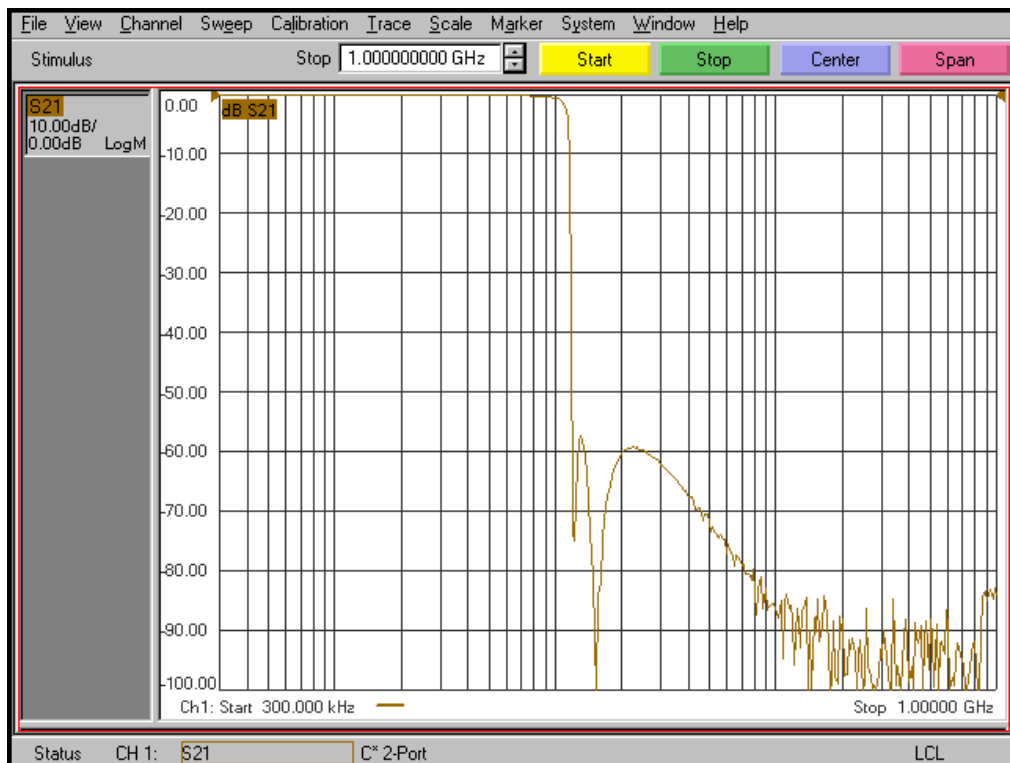
KR Electronics part number 2884-SMA is an 11 MHz lowpass filter. The filter attains over 50 dB rejection by 12 MHz. Other bandwidths are available. Please consult the factory.

### Features

- 11 MHz Lowpass Filter
- Highly Selective Elliptic Type Filter
- 50 dB Rejection by 12 MHz
- 50  $\Omega$  Source and Load
- SMA Connectors
- Also available in surface mount

## Typical Performance

### Overall Response (10 dB/div)

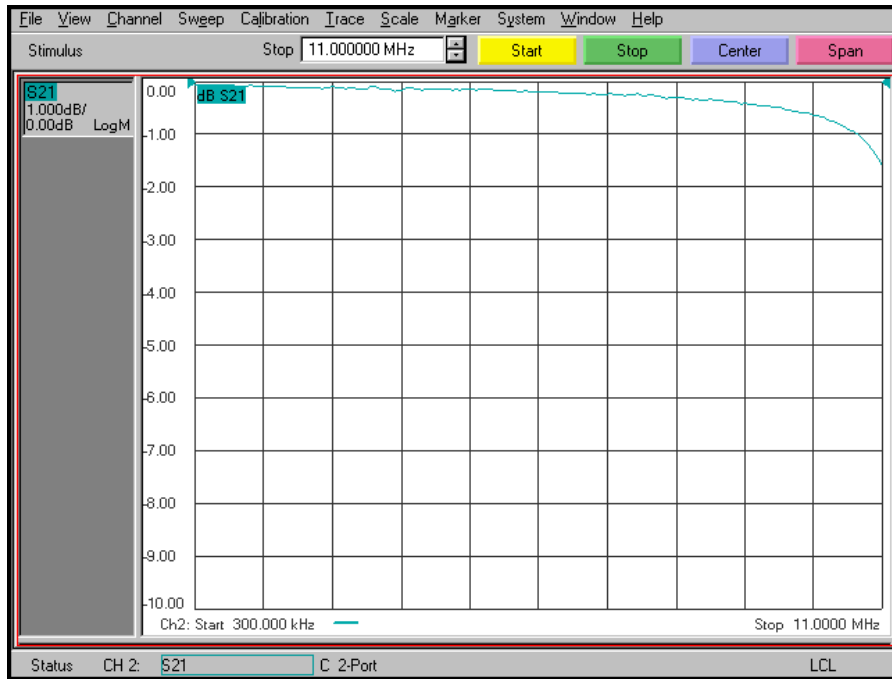


KR Electronics, Inc.  
91 Avenel Street  
Avenel, NJ 07001

Web [www.krfilters.com](http://www.krfilters.com)  
Email [sales@krfilters.com](mailto:sales@krfilters.com)  
Phone (732) 636-1900  
Fax (732) 636-1982

# KR Electronics 2884-SMA

## Passband Amplitude (1 dB/div)



## Overall Response (10 dB/div)



KR Electronics, Inc.  
91 Avenel Street  
Avenel, NJ 07001

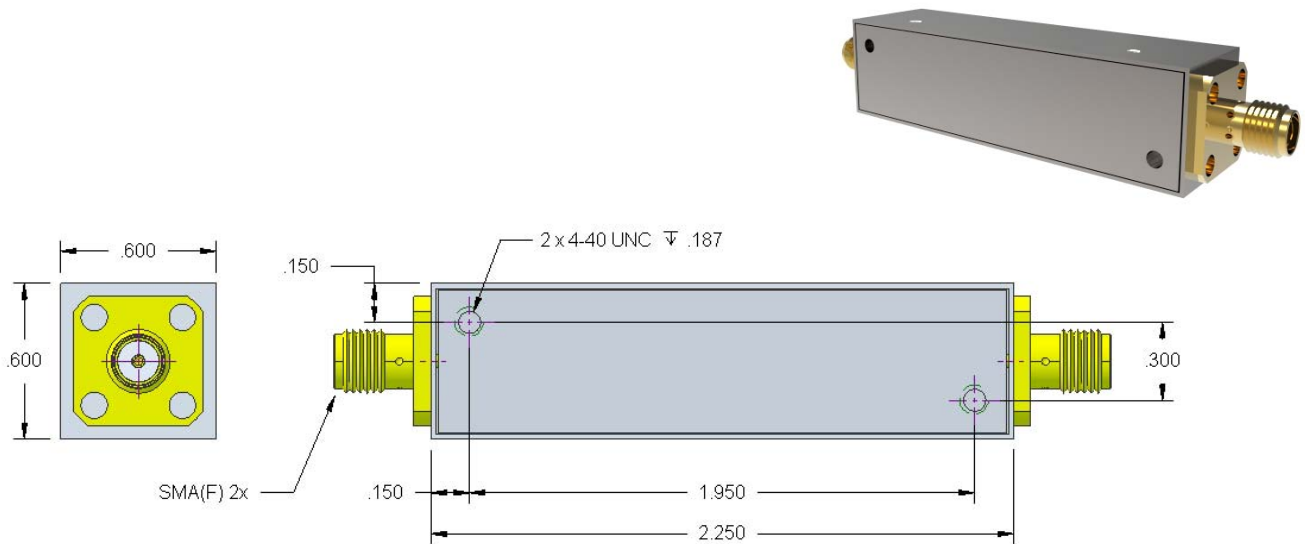
Web [www.krfilters.com](http://www.krfilters.com)  
Email [sales@krfilters.com](mailto:sales@krfilters.com)  
Phone (732) 636-1900  
Fax (732) 636-1982

# KR Electronics 2884-SMA

## Specifications

Parameter	Specification	Notes
Filter type	Lowpass	
Loss at 11 MHz	3 dB max	1.5 dB typical
Rejection at 12 MHz	50 dB min	
Source and Load	50 Ω	

## Physical Dimensions



**Notes:**

1. Dimensions in inches
2. Rectangular case
3. Also available in surface mount package, see part number 2884